

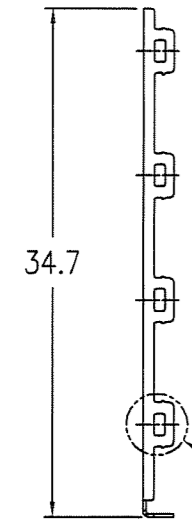
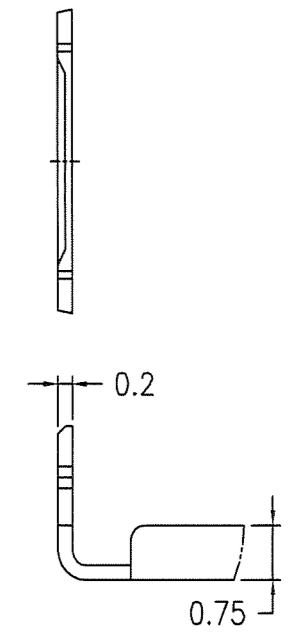
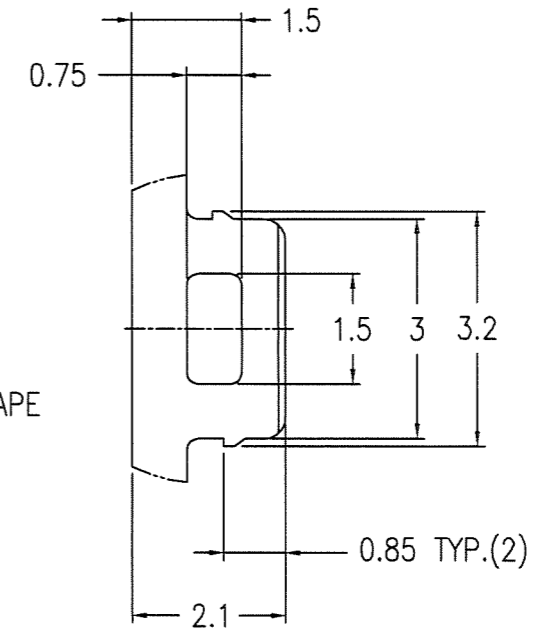
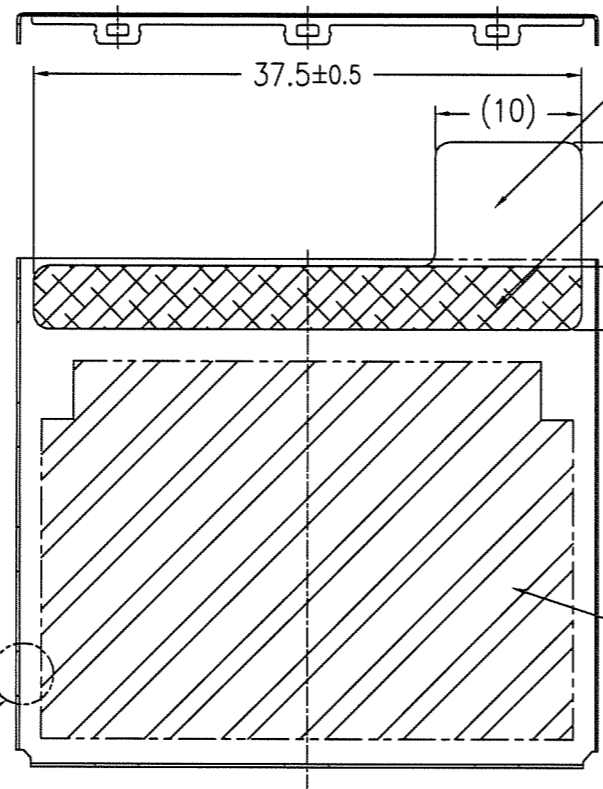
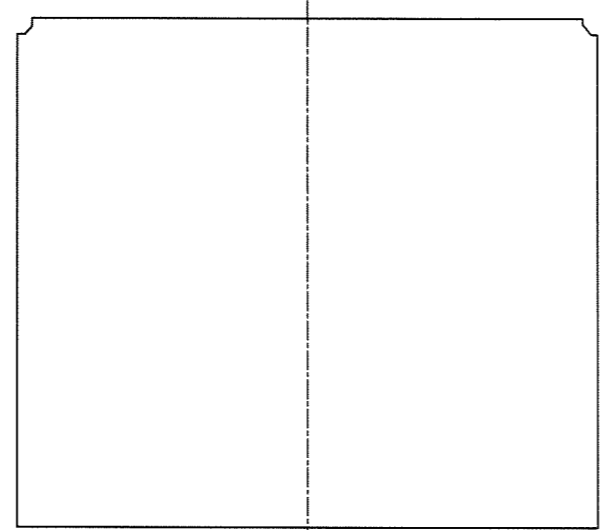
This document is the property of and embodies CONFIDENTIAL and PROPRIETARY information of FCI. No part of the information shown on this document may be used in any way or disclosed to others without the written consent of FCI. Copyright FCI.

FCI CONFIDENTIAL



FCIconnect.com

PRODUCT NO.	RESIST
62195-001	YES (STYLE 1)
62195-002	NO
62195-003	YES (STYLE 2)



DETAIL A

SEPARATE TAPE ONLY
SEE NOTE ②
ADHESIVE WITH SEPARATE TAPE

SEE NOTE ③ AND TABLE
RESIST

- NOTE
- MATERIAL : SUS304 CSP 1/2H, t=0.2mm
 - ADHESIVE TAPE MAT'L : UL746C, t=0.05mm (NOT INCLUDE SEPARATE TAPE)
LIFE : 6 MONTHS AFTER MFG. LOT NO.
 - RESIST : PRINTED MATTER, GREEN, t=0.02mm
 - STORAGE TEMPERATURE : -20~60°C

mat'l. code				surface	tolerance	projection	product family	CODE
SEE NOTE				ISO 1302	ISO 406	ISO 1101	5BOF - CARD SHIELDS	JP
ltr	description	ecn no	dr	date	tolerances unless otherwise specified		title	COMPACT FLASH UPPER COVER
1	SKETCHED		HS	1/26/98	angles	linear		
2	REVISED		HS	4/21/98	0.X	±0.3	mm	sheet 1 of 2
A	RELEASED	J80211	HS	5/ 8/98	0'±2'	0.XXX		
B	REVISED	J80319	HS	8/18/98	dr	R. Showit 1/29/07	FCI	sheet 1 of 2
C	REVISED	J00645	YK	8/ 1/00	enr	R. Showit 1/29/07		
D	REVISED	J07-0045	RS	1/25/07	chr	1/30/07	Product Customer Drawing	Rev.
					appd	S. De... 1/30/07		
sheet index	revision sheet	D	C					
		1	2					

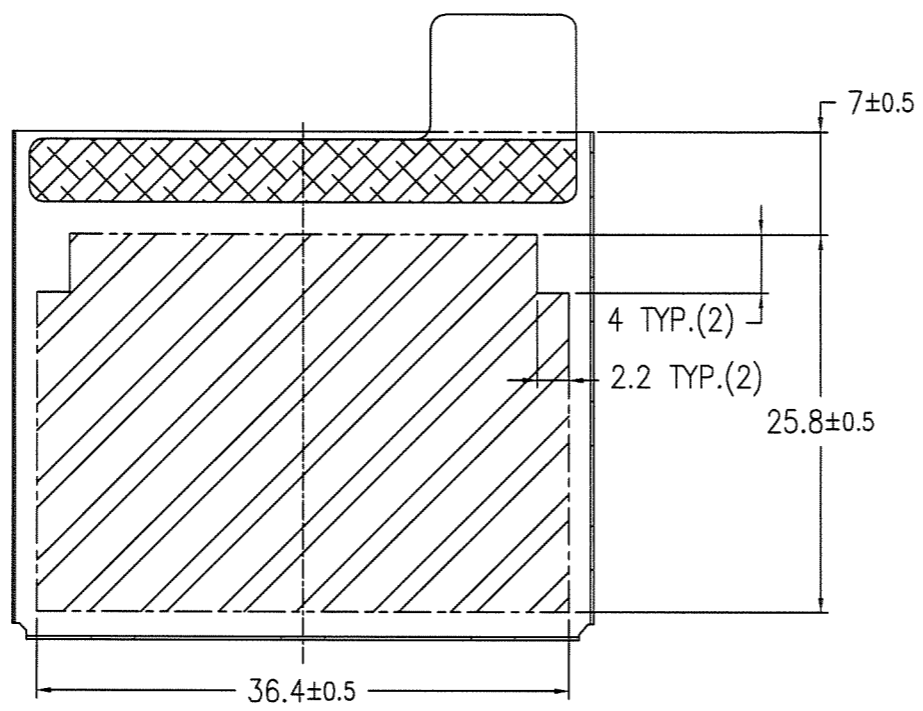
This document is the property of and embodies CONFIDENTIAL and PROPRIETARY information of FCI. No part of the information shown on this document may be used in any way or disclosed to others without the written consent of FCI. Copyright FCI.

FCI CONFIDENTIAL

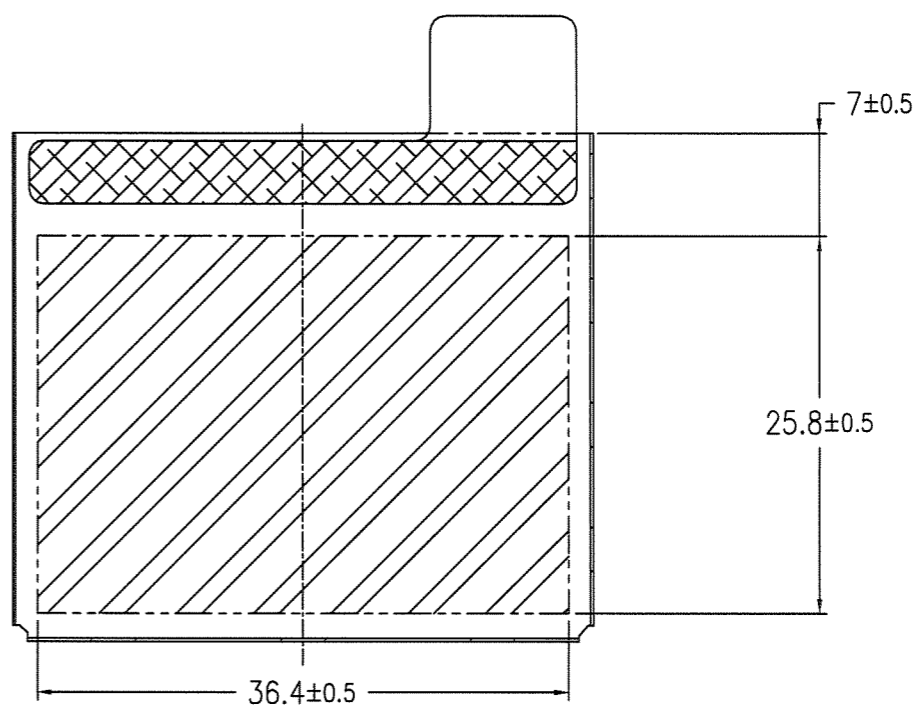


FCIconnect.com

PRODUCT NO.	RESIST
62195-001	YES (STYLE 1)
62195-002	NO
62195-003	YES (STYLE 2)



STYLE 1



STYLE 2

mat'l. code SEE NOTE				surface ISO 1302 ✓		tolerance ISO 406 ISO 1101		projection mm scale 2:1		product family 5BOF - CARD SHIELDS		CODE JP
title COMPACT FLASH UPPER COVER										dwg no 62195		sheet 2 of 2 A3
type Product Customer Drawing										Rev. C		
ltr	description	ecn no	dr	date	tolerances unless otherwise specified	angles	linear	0.X	0.XX	±0.3		
A	REVISED	J80319	HS	8/18/98								
B	REVISED	J00645	YK	8/ 1/00								
C	REVISED	J07-0045	RS	1/25/07	0'±2'			0.XXX				
				dr	R. Shoyji		1/29/07					
				enr	R. Shoyji		1/29/07					
				chr	K. Shoyji		1/20/07					
				app	S. Anderson		1/20/07					
sheet index	revision sheet											